



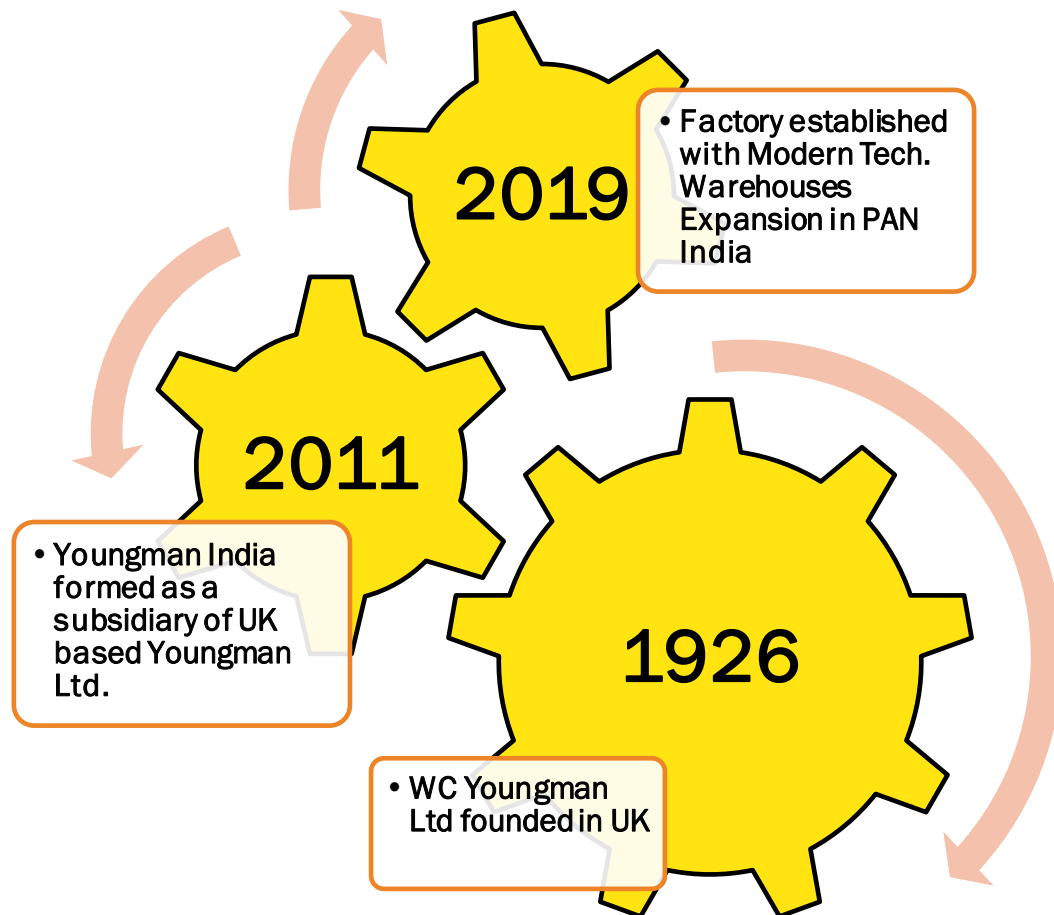
# INTRODUCTION OF CANTILEVER SCAFFOLDING

Slide Deck By

**YOUNGMAN**



# YOUNGMAN HISTORY & MILESTONES

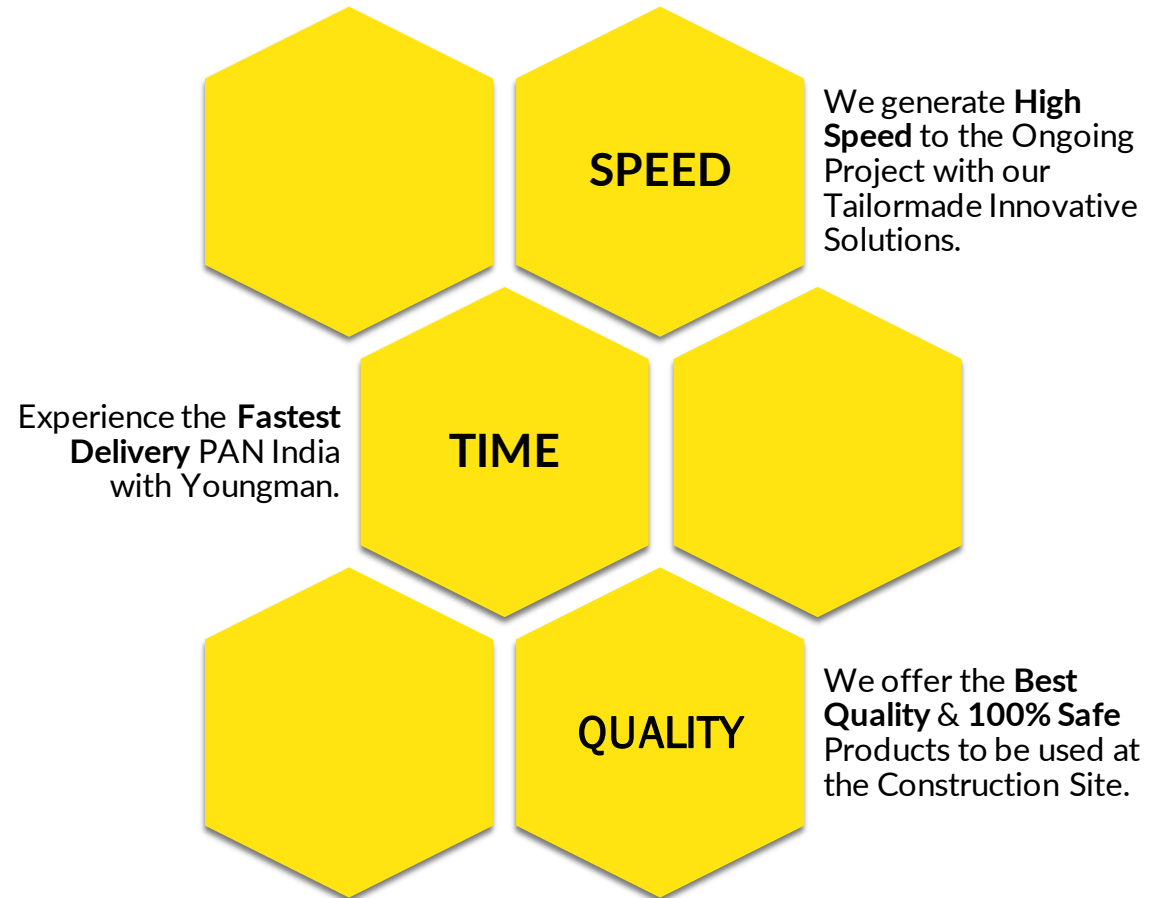


- ❖ Presently India's largest fleet of Aluminium Scaffolds and locations spans across 18+ major cities.
- ❖ Youngman India has been serving as a major contributor to different industries with innovative work-at-height Solutions, Tools and other Equipment. Our unrivalled products includes Scaffolds, Ladders, Lifo, Wheelbarrows, and other Tools. We have been hired for the following work requirements:
  - \* Structure Foundation & Roofing.
  - \* Water Proofing & MEP work
  - \* Ceiling, Painting, Automation and
  - \* Installation work
  - \* Interior Designing

# WHY YOUNGMAN?

Youngman brings nearly 100 years of experience to the work at height sector, offering a range of extremely safe and reliable European quality products like Scaffolds, Ladders, Lifters, and other Tools or Equipment.

- ❖ We have the ability to assess the environmental, safety and health risks.
- ❖ Pragmatic approach to managing risk, incorporating defensibility within the risk management solutions.
- ❖ With intense Testing procedure, Youngman products avail to the safety standards and attain License/Certificates.



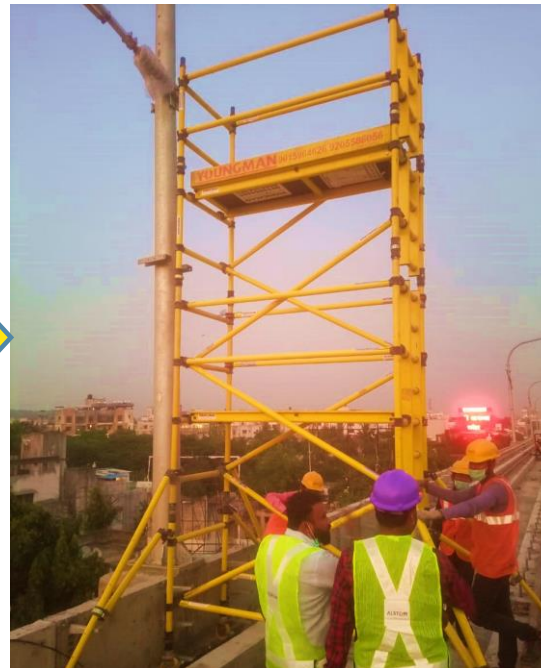
# **YOUNGMAN CUSTOMER CENTRICITY**

According to Customer Requirements and Technology Advancements, Youngman India has brought forward many experiments and implementations to the Indian Construction Industry.

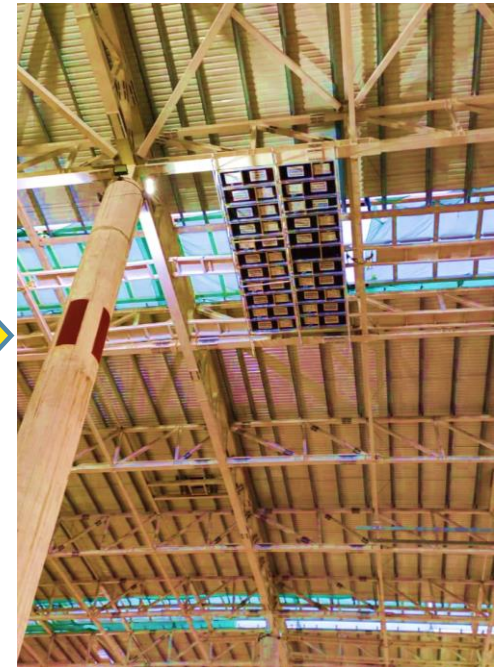
Below is the Evolution Journey of Youngman Scaffolding based on Customer Requirements:



Aluminium Scaffolds  
to FRP Scaffolds



Hanging Scaffolds





# HOW CAN WE SUPPORT NEW AGE CONSTRUCTION SOLUTIONS?

Youngman India provides a full range of Equipment and Tools range which will help in the Construction of Shelter, Sanitation, Safe Water Project, Shades Solutions or any other construction solutions. We offer a full package of:

- ❖ **Access Solutions** – Bridges, Hanging Solutions, Scaffolds, Ladders, Lifters, Work Platforms
- ❖ **Tools** - Cordless Power tools, Breakers, Drillers, Impact Wrench, etc.
- ❖ **Safety Equipment & PPE**



# **YOUNGMAN**

## **CANTILEVER SCAFFOLDING**

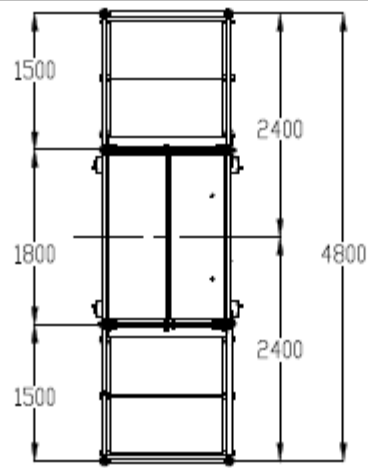
Cantilever scaffolding is a separate scaffold constructed to angle out from a building. This is used when obstacles on the ground or narrow pathways prevent basing the scaffolding on the ground.

Cantilever scaffolds are easy to erect and can support an average workman and supplies. Using a cantilever style eliminates the requirement for poles and frame be erected in front of a structure.

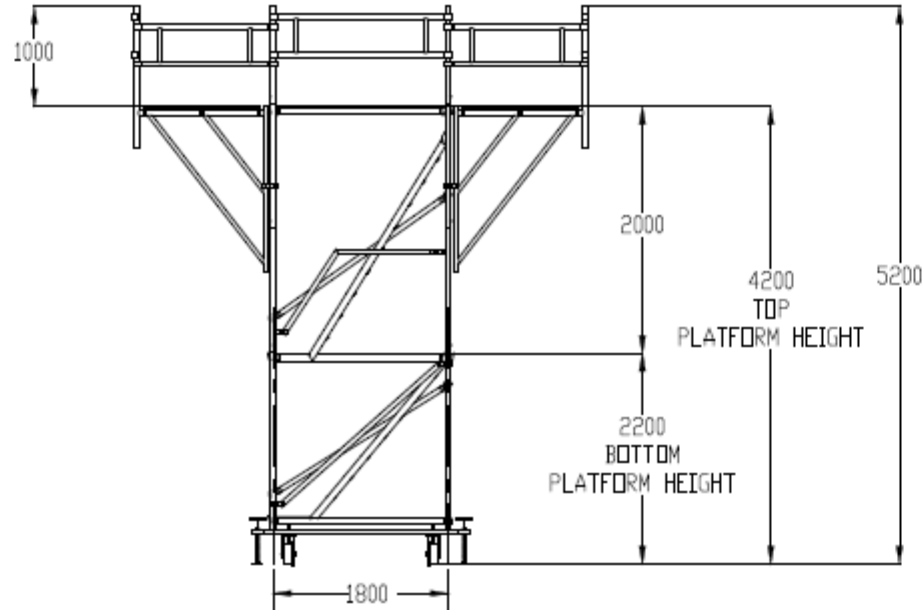
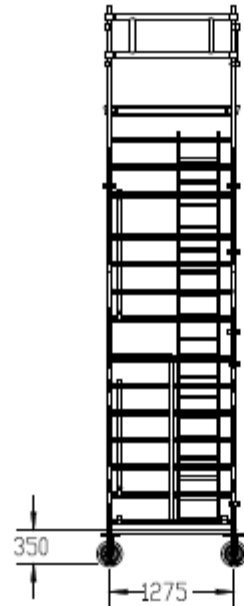
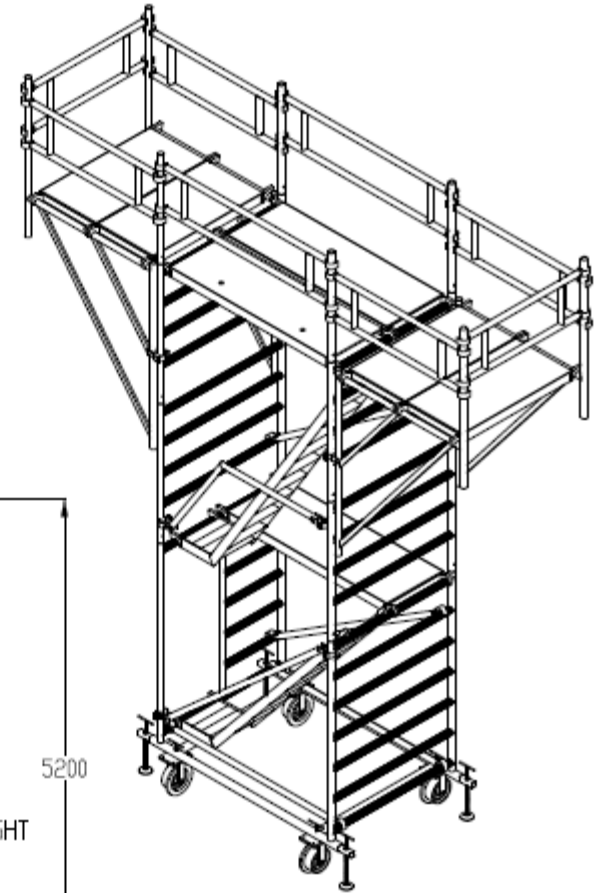
- Barriers or edge protection in place.
- All planks are uniform and in excellent condition.
- A safe entranceway and exit for both the user and loading materials.
- A wide work platform positioned horizontally.



CONFIDENTIAL



NAME - ALUMINUM SCAFFOLDING PLATFORM  
 MATERIAL - 6005-T6  
 MODEL TYPE - LINEAR ELASTIC ISOTROPIC  
 YIELD STRENGTH - 225Mpa  
 TENSILE STRENGTH - 270Mpa  
 ELASTIC MODULUS - 68Gpa  
 POISSON'S - 0.33  
 MASS DENSITY - 2.7 g/cm<sup>3</sup>  
 SHEAR STRENGTH - 205Mpa



- NOTE -
- 1) ALL DIMENSIONS AND TOLERANCE CHART ARE IN MM UNLESS SPECIFIED
  - 2) REMOVE ALL SHARP CORNERS
  - 3) DIMENSIONS ARE CRITICAL TO QUALITY (CTQ)
  - 4) MINIMUM BEND RADIUS IS EQUAL TO THICKNESS, UNLESS SPECIFIED
  - 5) FOLLOW THE TOLERANCE CHART UNLESS ANY SPECIFIC TOLERANCE MENTIONED ON THE DIMENSION

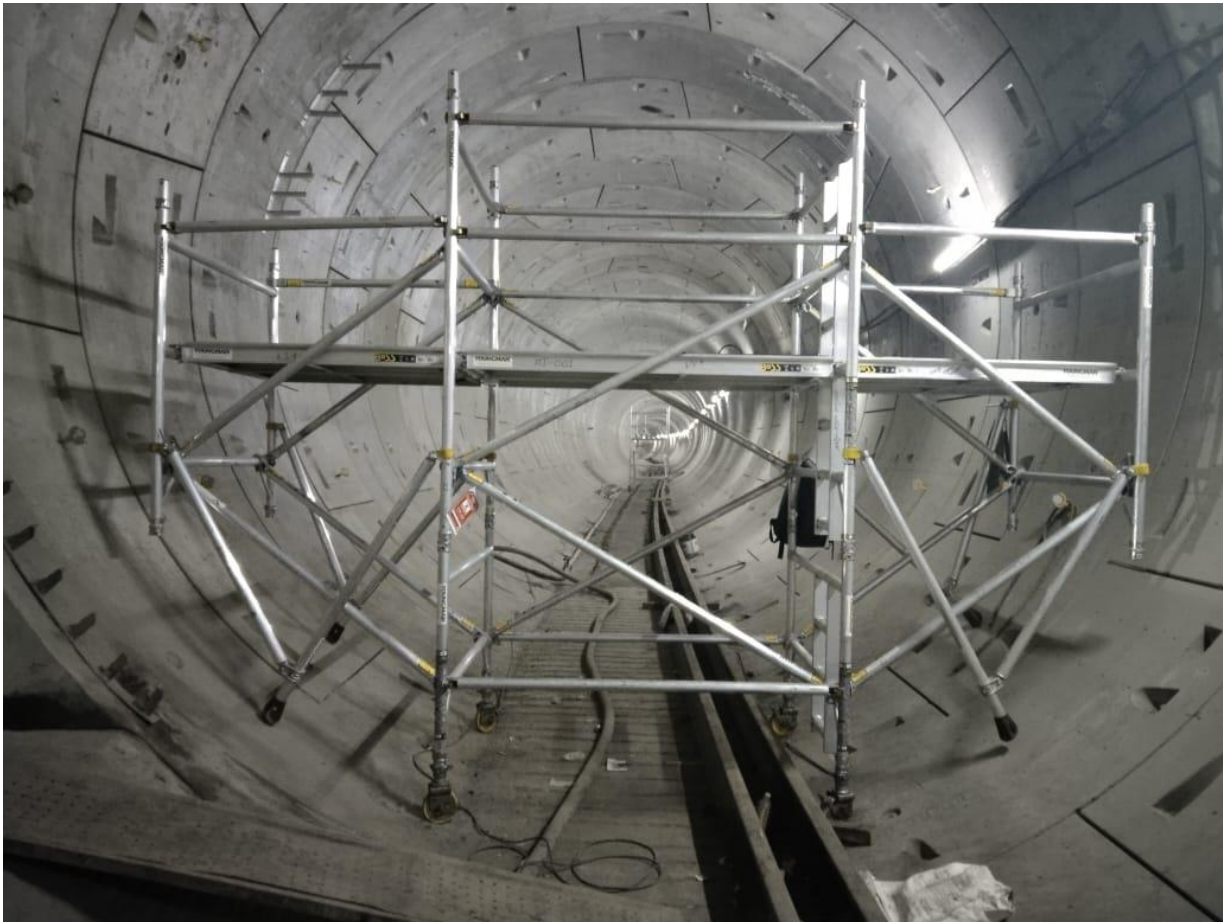
WELDMENT DEVIATIONS WHERE NOT SPECIFIED IS 13920-B

LENGTH or Ø (mm)	over upto	2	30	400	1000	2000	4000	8000
		±1	±2	±3	±4	±6	±8	±10

PROPRIETARY AND CONFIDENTIAL ALL THE DRAWINGS ARE SOLE PROPERTY OF APEX ACCESS EQUIPMENTS. DRAWINGS ARE NOT TO BE REPRODUCED OR TRANSMITTED IN ANY FORM OR BY ANY MEANS, ELECTRONIC OR MECHANICAL, INCLUDING PHOTOCOPYING, RECORDING, OR BY ANY INFORMATION STORAGE AND RETRIEVAL SYSTEM.		NAME DATE	CUSTOMER APEX ACCESS EQUIPMENTS
MATERIAL - FLOOR REFER NOTES		DRAWN / CHECKED ENCL 1 / CHECKED ENCL 2 / CHECKED	TITLE SCAFFOLDING (4200 MM PLATFORM )
DIMENSIONS		SCALE: 1:60	WEIGHT: -- Kg SHEET 1 OF 1



# **YOUNGMAN INNOVATIVE SOLUTIONS ENFORCING SAFETY**



## **Aluminium (Cantilever) Scaffolding**

- ✓ Rigid and Robust Construction
- ✓ Safety Certification BS EN1004:2004
- ✓ 6082T6 Aluminium Grade
- ✓ 3T - Through the Trapdoor build method
- ✓ Ribbed rung tubing for increased grip
- ✓ Integral ladders with 0.25m climb rung spacing and 0.5m frame rung spacing for safe and comfortable access





# **YOUNGMAN THE PROFITABLE CONCLUSION**

\*\* Increase your Project Working Speed and complete the entire project before time with Youngman Access Solution.

\*\* Inclusion of Youngman's expertise in your project brings 100+ years of reputation in the work-at-height industry.

\*\* Youngman System offers your workforce a **Guaranteed Safety** as we have proven expertise and **Tested Certified Products**.

**INTERESTED !!!**

Contact Us Today.

**Call: +91-9015964626**

## CONTACT US

YOUNGMAN INDIA PVT. LTD.

Phone: +91-9015964626

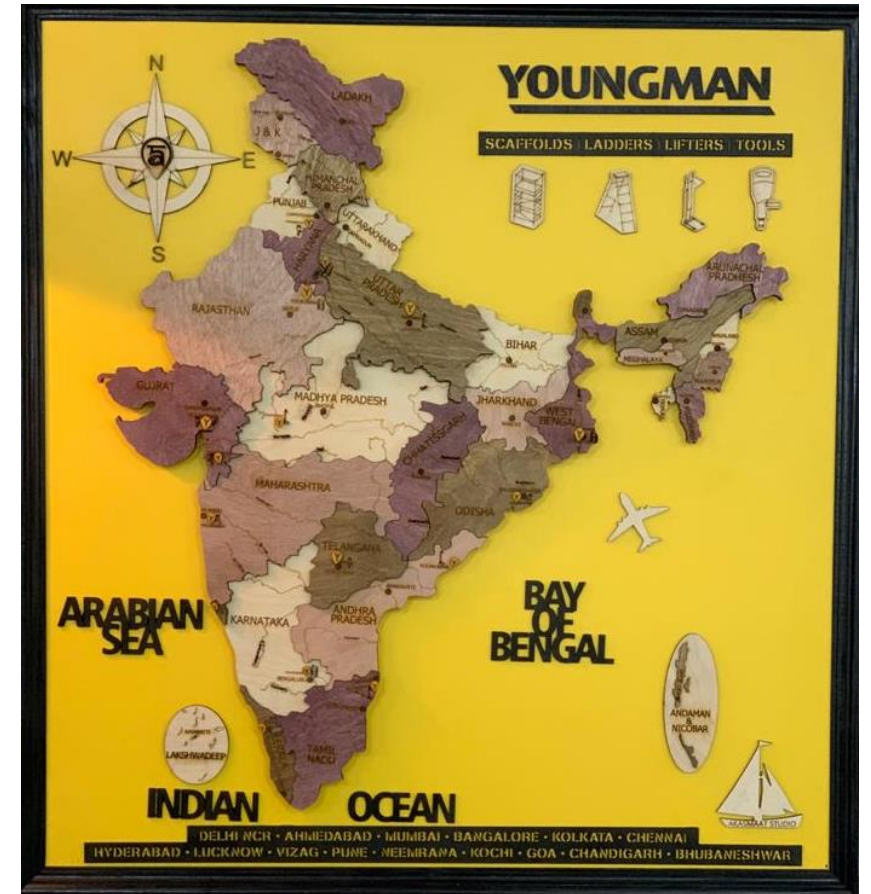
Email: [marketing@youngman.co.in](mailto:marketing@youngman.co.in)

### Head office:

Plot Number - 14, Ecotech-1 Ext,  
Kasna, Greater Noida.

Uttar Pradesh

Pin: 201310



# YOUNGMAN™

## PAN INDIA PRESENCE

Delhi | Noida | Mumbai | Chennai | Kolkata | Bangalore | Ahmedabad | Lucknow |  
Indore | Goa | Surat | Bhubaneshwar | Hyderabad | Cochin | Vizag | Chandigarh | Pune | Neemrana